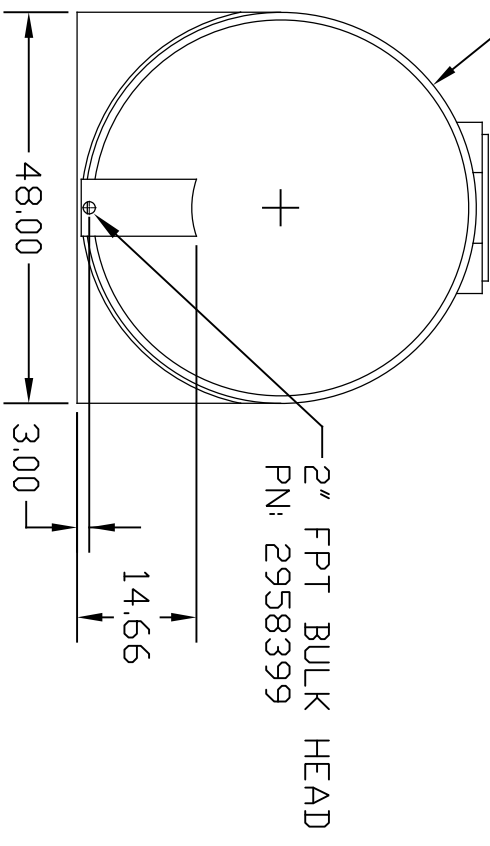
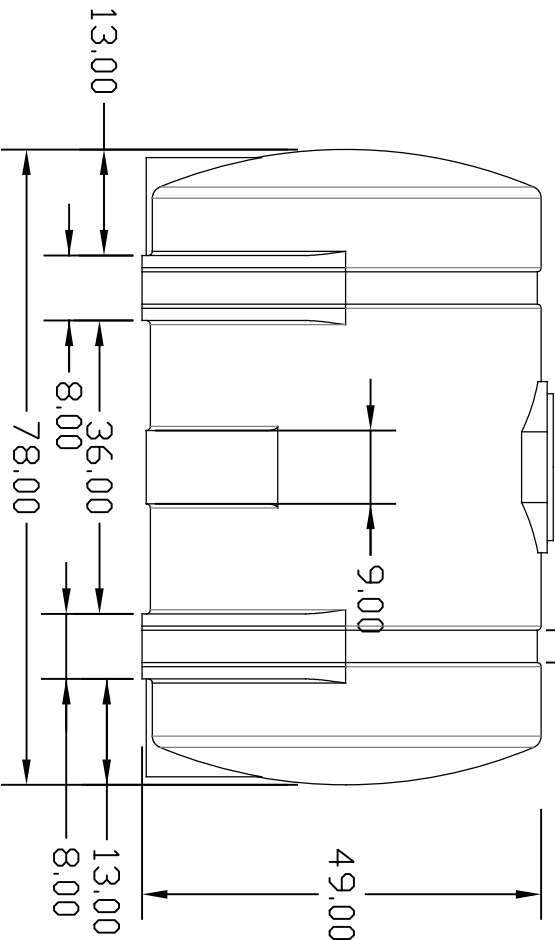
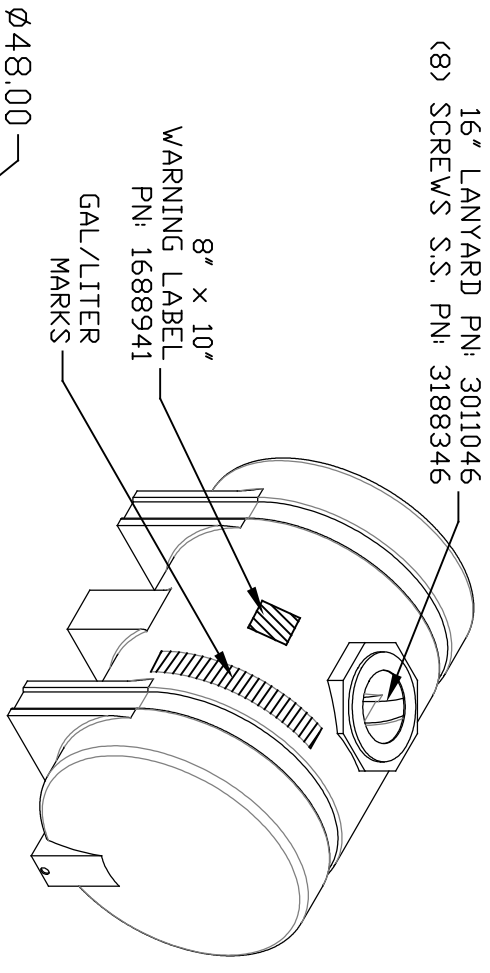
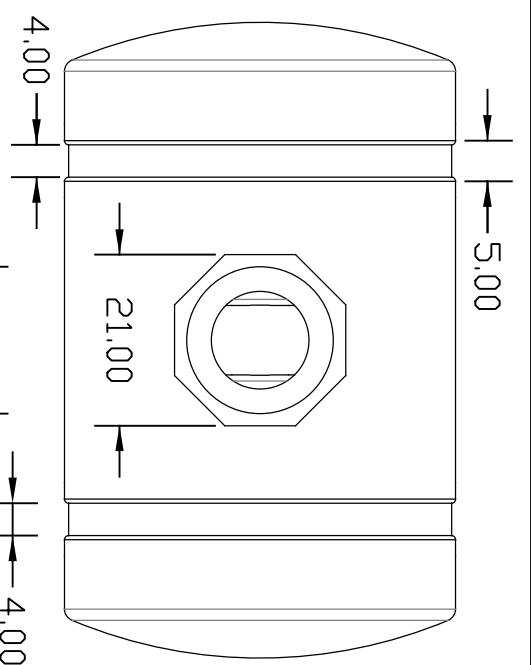


12" VENTED LID PN: 3011045  
 16" LANYARD PN: 3011046  
 (8) SCREWS S.S. PN: 3188346



PROPRIETARY AND CONFIDENTIAL

THE INFORMATION CONTAINED IN THIS DRAWING IS THE SOLE PROPERTY OF ROTATIONAL MOLDING TECHNOLOGIES INC. ANY REPRODUCTION IN PART OR AS A WHOLE WITHOUT THE WRITTEN PERMISSION OF ROTATIONAL MOLDING TECHNOLOGIES INC. IS PROHIBITED.

UNLESS OTHERWISE SPECIFIED: DIMENSIONS ARE IN INCHES

TOLERANCES:	FRACTIONAL ±	ANGULAR: MACH ±	BEND ±	TWO PLACE DECIMAL ±	THREE PLACE DECIMAL ±
INTERPRET GEOMETRIC TOLERANCING PER:	MATERIAL	FINISH	DD NOT SCALE DRAWING	APPLICATION	USED DN
DRAWN	BES	28-MAY-2013	DATE	NAME	REV
CHECKED					
ENG APPR					
MFG APPR					
Q.A.					
COMMENTS:					

ROTATIONAL MOLDING TECHNOLOGIES INC.  
 TITLE: RMT TANK  
 550 GALLONS

SIZE DWG. NO. 82124269  
 SCALE: 1:24 WEIGHT: SHEET 1 OF 1