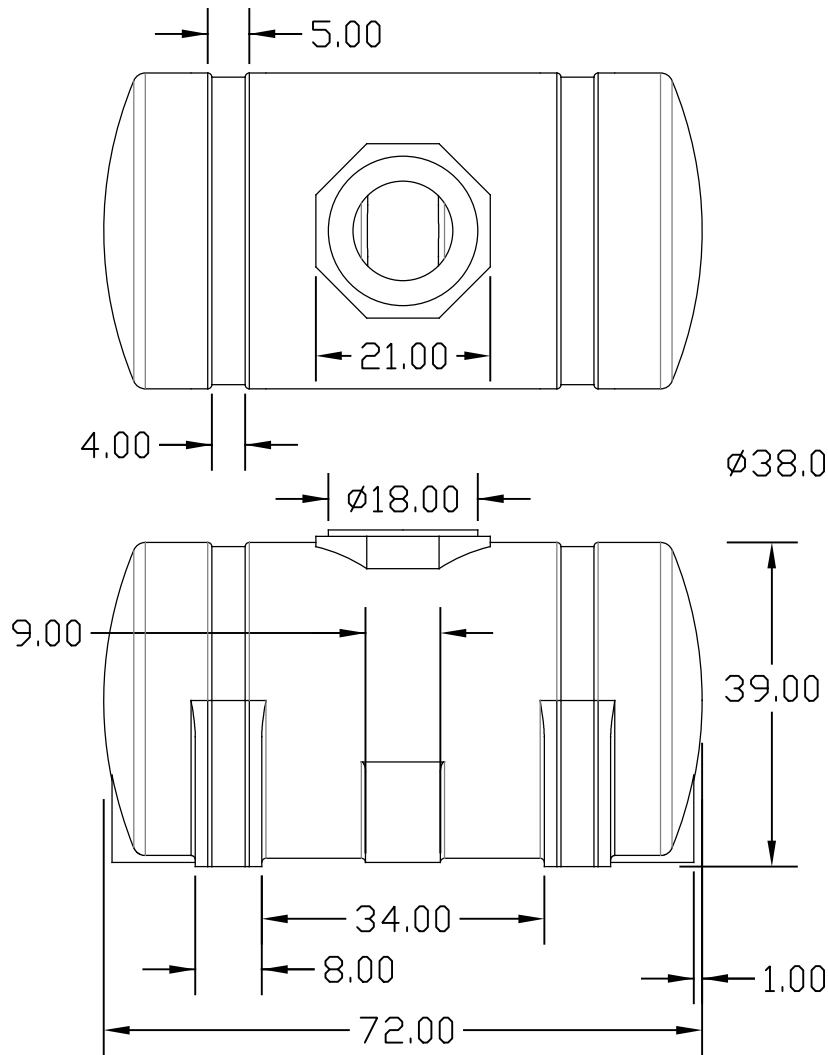
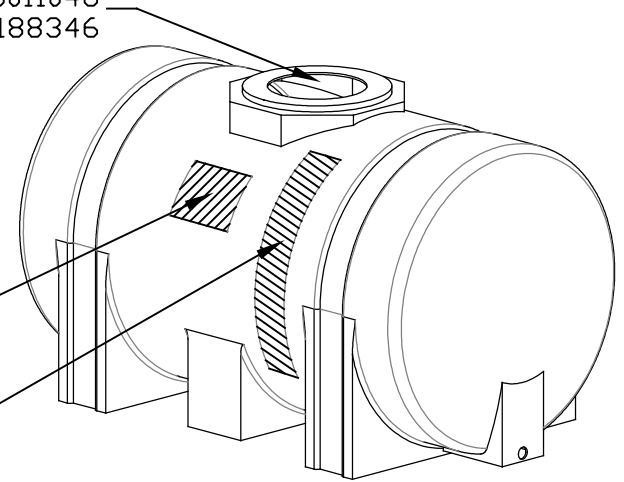


12" VENTED LID PN: 3011045
 16" LANYARD PN: 3011046
 (8) SCREWS S.S. PN: 3188346

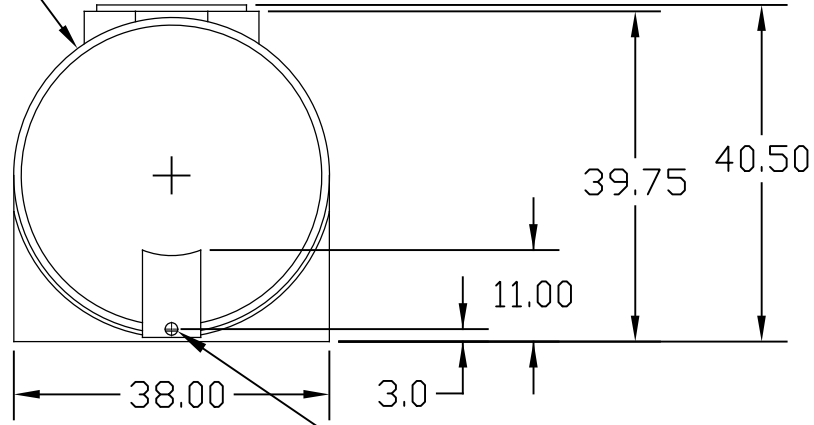


8" x 10"
 WARNING LABEL
 PN: 1688941

GAL./LITER
 MARKS



Ø38.00



2" FPT BULK HEAD
 PN: 2958399

PROPRIETARY AND CONFIDENTIAL
 THE INFORMATION CONTAINED IN THIS
 DRAWING IS THE SOLE PROPERTY OF
 ROTATIONAL MOLDING TECHNOLOGIES INC. ANY
 REPRODUCTION IN PART OR AS A WHOLE
 WITHOUT THE WRITTEN PERMISSION OF
 ROTATIONAL MOLDING TECHNOLOGIES INC. IS
 PROHIBITED.

		UNLESS OTHERWISE SPECIFIED:	NAME	DATE
		DIMENSIONS ARE IN INCHES	DRAWN	BES 28-MAY-2013
		TOLERANCES:	CHECKED	
		FRACTIONAL ±	ENG APPR.	
		ANGULAR: MACH ± BEND ±	MFG APPR.	
		TWO PLACE DECIMAL ±	Q.A.	
		THREE PLACE DECIMAL ±	COMMENTS:	
		INTERPRET GEOMETRIC TOLERANCING PER:		
		MATERIAL		
NEXT ASSY	USED ON	FINISH		
APPLICATION		DO NOT SCALE DRAWING		

ROTATIONAL MOLDING TECHNOLOGIES INC.		
TITLE: RMT TANK 325 GALLONS		
SIZE A	DWG. NO. 82124259	REV A
SCALE: 1:24 WEIGHT:		SHEET 1 OF 1