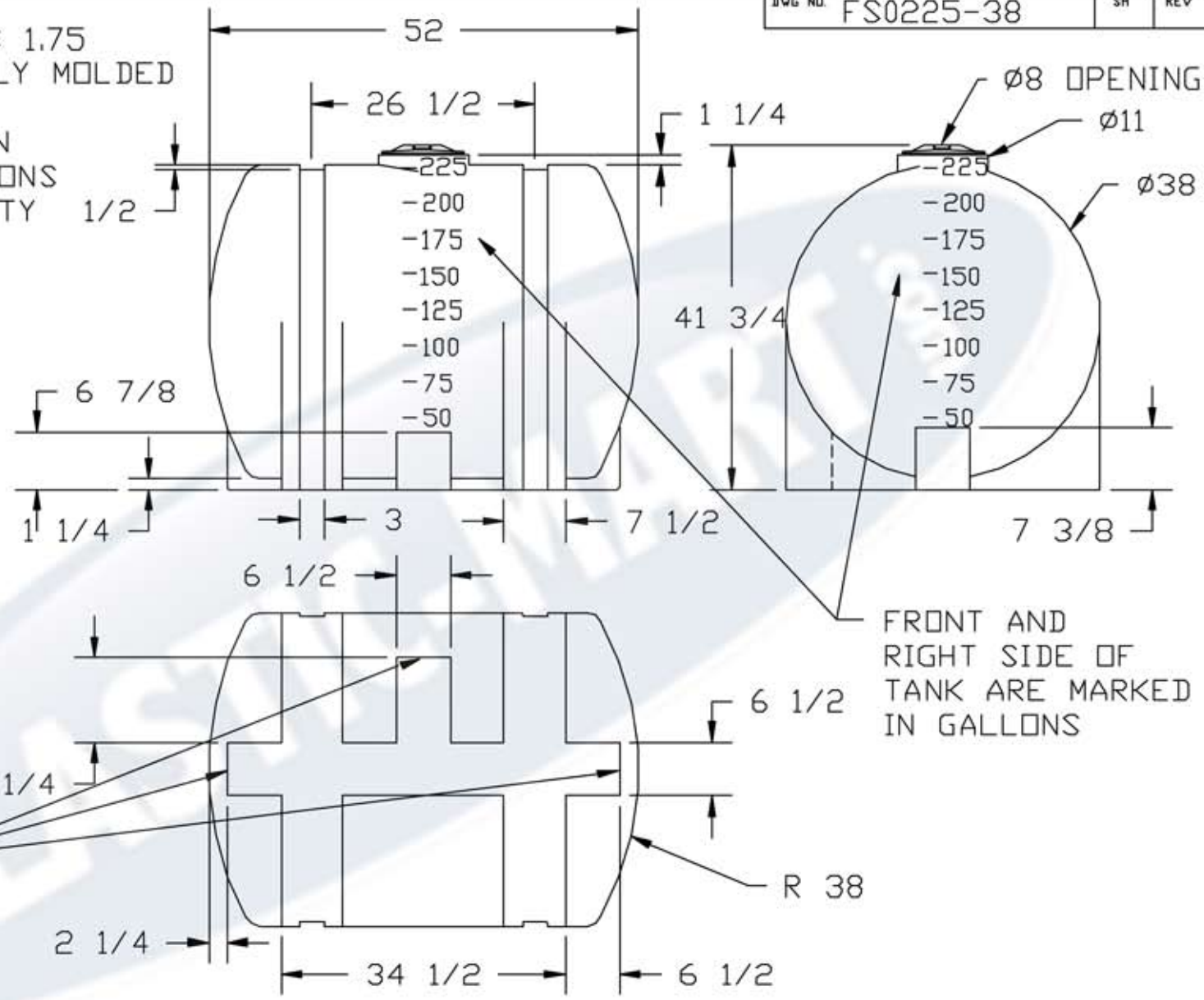

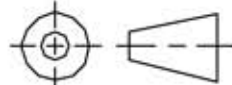


1. SPECIFIC GRAVITY IS 1.75
2. 1 PIECE ROTATIONALLY MOLDED
3. TRANSLUCENT
4. FDA APPROVED RESIN
5. CALIBRATED IN GALLONS
6. THREE YEAR WARRANTY
7. UV STABILIZED
8. FREE STANDING



TANK FITTING CAN BE INSTALLED IN ANY OF THESE 3 SUMP LOCATIONS

				DRAWN DEAN	DATE 3-11-94	MATERIAL HIGH DENSITY POLYETHYLENE		 866-310-2556	
				APPROVED	DATE			PART NO. FS0225-38	
REV	DESCRIPTION	DATE	APV/D	THIRD ANGLE PROJECTION		PART WEIGHT 85 LBS.		SIZE A	REV
SCALE NONE									
UDS DIMENSIONS ARE IN INCHES GENERAL TOLERANCES ± .5% @ 68° F									